

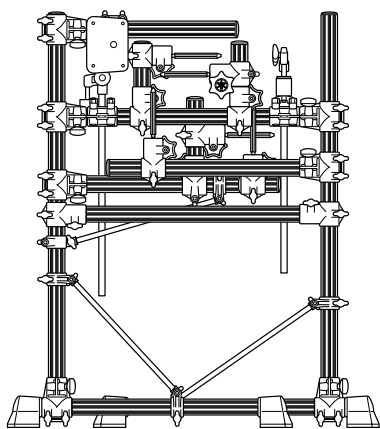
Thank you for purchasing the Yamaha Electronic Drum Rack System RS65S.

Before using, thoroughly read these assembly instructions, and use this product safely and correctly.

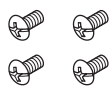
**RS65S Rack Stand Parts**

\* Before assembling the rack stand, make sure all of the parts shown below are included.

**Overall Assembly RS65S**  
(When the box is opened)



◆ **Small Screws M5 X8**  
(Module Holder Fixing Screws X4)

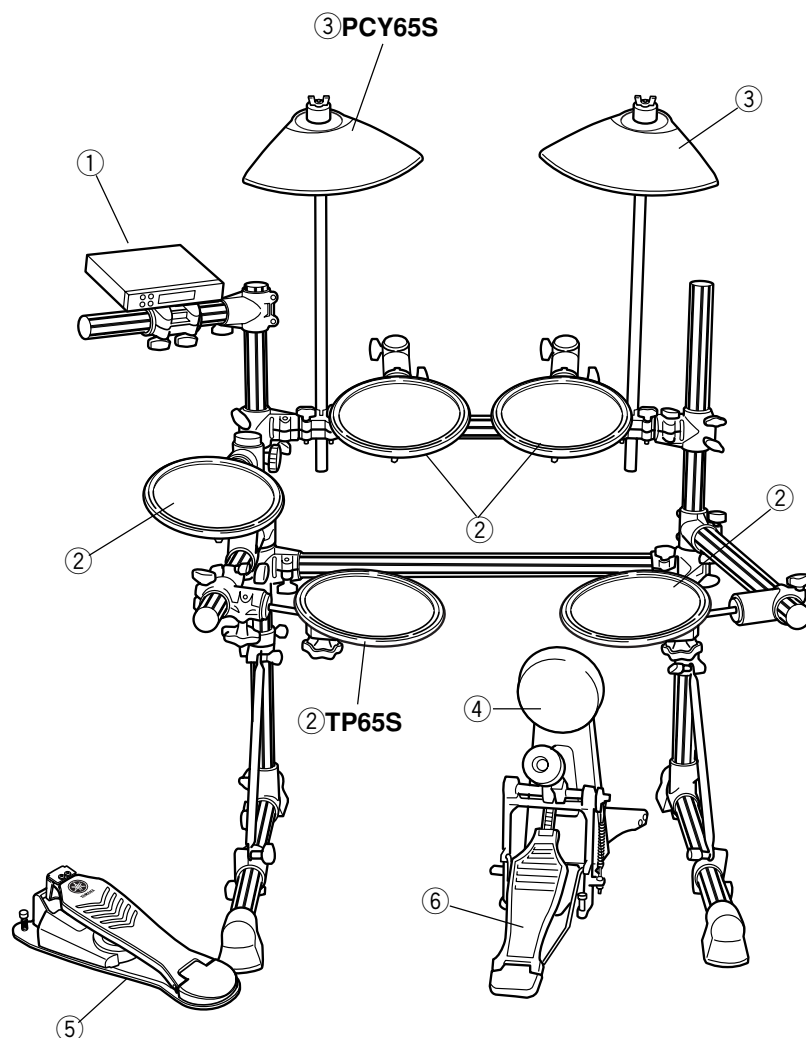


◆ **Cable Band (x10)**



◆ **Assembly Instructions**  
(this sheet)

**RS65S+Pad grouping : Set up example**

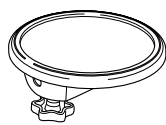


**Pad and Drum Trigger Grouping (option)**

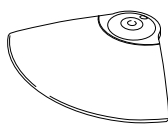
① **DTXPRESS II**  
Drum Trigger Module



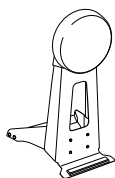
② **TP65/65S**  
Drum Pad



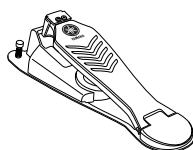
③ **PCY65/65S**  
Cymbal Pad



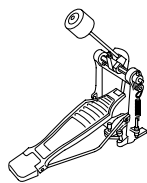
④ **KP65**  
Kick Pad



⑤ **HH65**  
Hi-hat Control Pedal



⑥ **Foot Pedal**  
\* FP-700 etc.



**PRECAUTIONS**

Before using, please read this "Assembly Instruction" sheet, and use this product in a safe and proper manner. Especially for children, parents or an instructor should teach the children the proper manner in which to use the device.

**To prevent against accidents and injury**

Please follow the cautions listed below

- △ Caution (including danger, or warning). This mark indicates cautions in which you should pay close attention to.
- ⊘ Acts indicated with this icon are prohibited and should not be attempted.
- This icon indicates acts that you are urged to follow.

**WARNING** If this symbol is ignored and the equipment is used improperly, fatal injury to persons or serious damage could occur.

△ Always set the instrument on a flat and solid surface. Placement on a sloping, unstable surface or on steps may result in the instrument being unstable and overturning.

△ Make sure all bolts are tightened firmly. Loose bolts may result in the rack overturning or parts dropping causing injury.

⊘ When adjusting the height or angle, do not suddenly loosen the bolt. The pad may drop, the rack or pipes may slip, pinching or causing injury to hands or fingers.

⊘ Do not sit or step on the rack. The rack may overturn or be damaged resulting in injury.

△ Please be careful when children are close to or touching the product. The product has many pipes and arms so careless movement around the product may result in injury.

△ When setting the pads and modules, please pay close attention in regards to the handling and setting of cables. Feet may become entangled in the cables resulting in falls.

**CAUTION** If this symbol is ignored and the equipment is used improperly, there is a danger of injury to persons handling the equipment, and material damage could occur.

⊘ Do not put your hands or feet under the foot pedal or foot switch. They may be pinched resulting in injury.

△ Watch your fingers when adjusting clamps. They may become pinched resulting in injury.

△ Be careful around pipe ends, inside the pipe and screw ends. Metal shavings, etc. may injure your fingers.

⊘ Do not attach acoustic drums to the electronic drum rack. Clamps may be damaged and drums may drop, causing injury.

\* Specifications are subject to change without notice.

# RS65S Assembly

\* Parts for the RS65S's main structure have already been assembled before packing. After removing the unit from the box, follow the instructions described below to complete the assembly.  
A Phillips (+) screwdriver is required when attaching the DTXPRESS II module. Please prepare one before starting assembly.

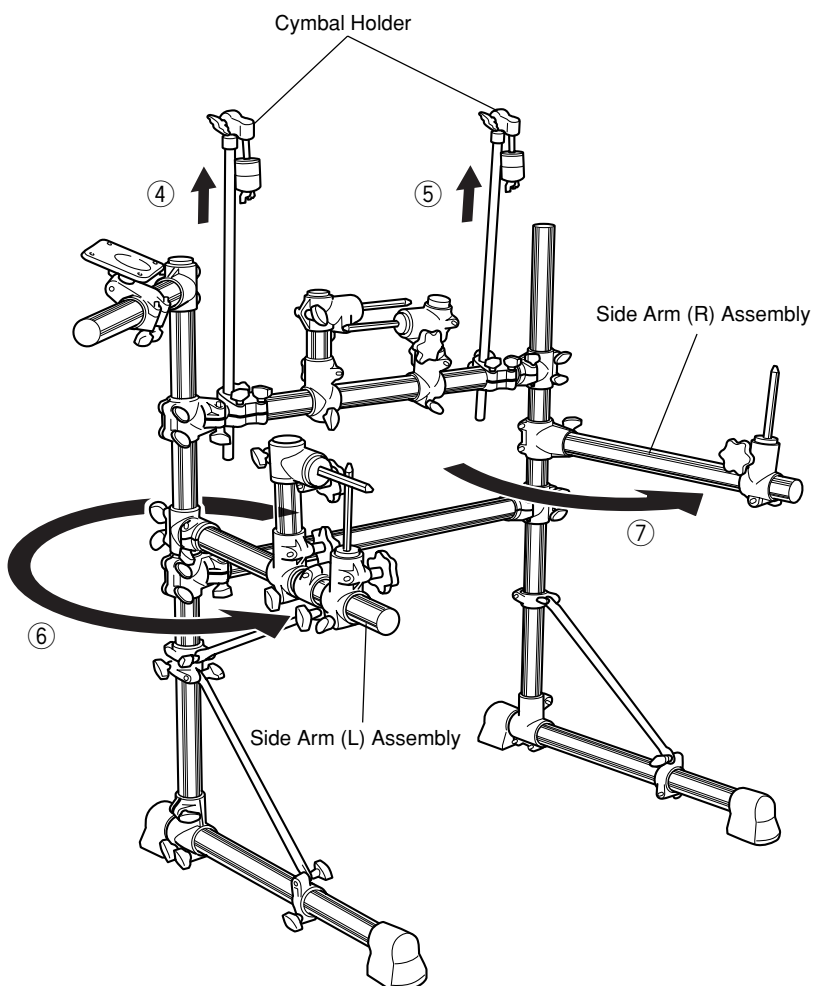
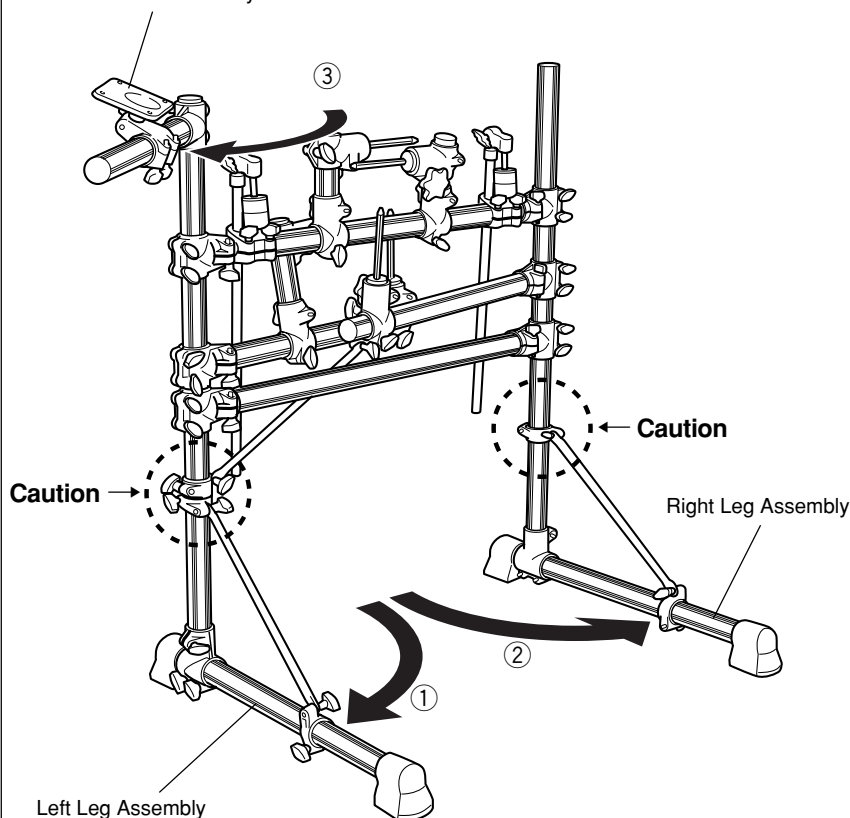
**1** After removing the unit from the box, remove all cushion material.

## 2 Setting up the parts

- Loosen the bolts on the movable arms and legs, as shown in the diagrams below, then secure the bolts firmly once setting is complete. Follow the setup order (①-⑦) in the diagrams shown below.

**Caution:** Make sure the bolts marked with a "⊕" are loosened before setting up.

Module Holder Assembly



## 3 Attaching the DTXPRESS II

**3-1** Remove the module holder from the holder clamp, and use the supplied screws to attach the DTXPRESS II.

**Make sure only the supplied screws are used. Using any other screws may result in the unit falling off the holder or damage.**

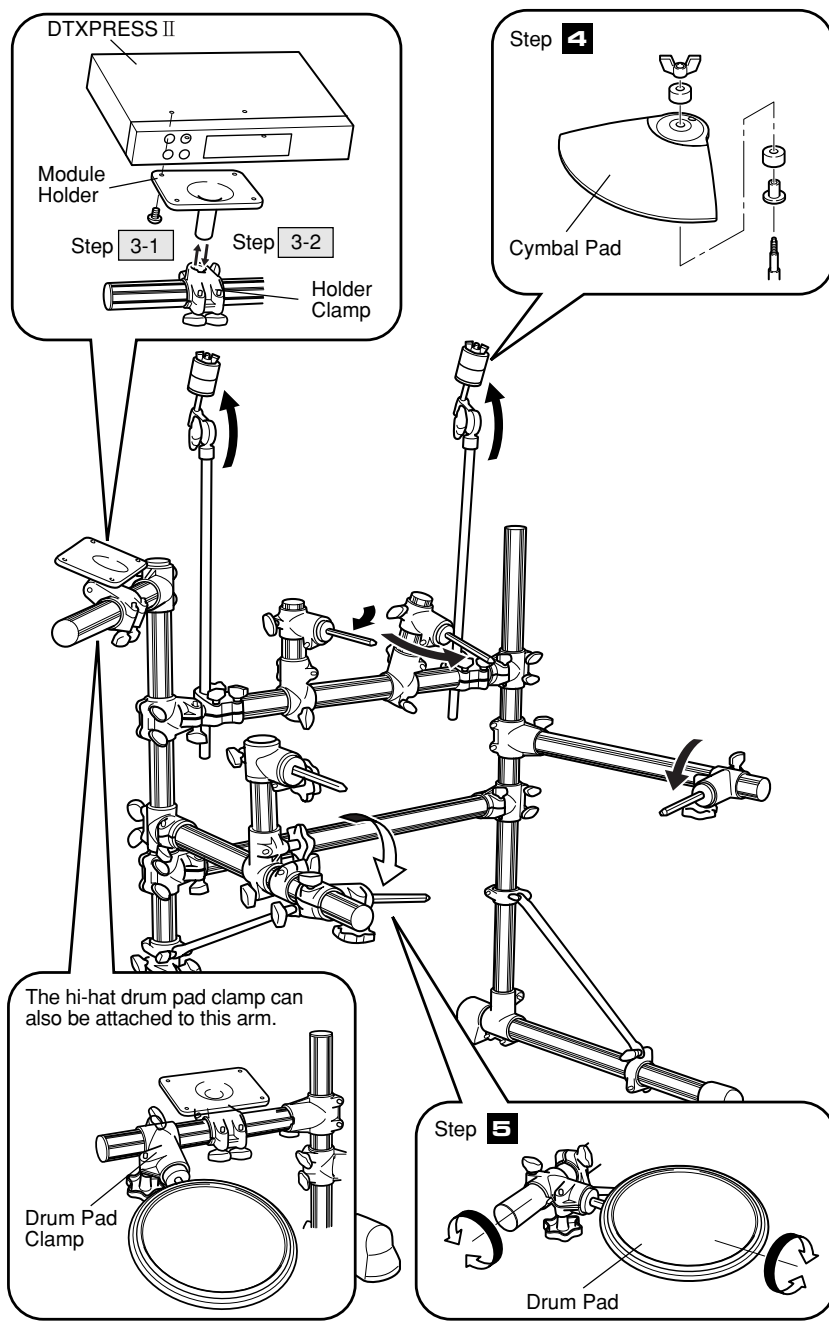
**3-2** Reattach the module holder to the holder clamp.

## 4 Attaching the cymbal pads

Attach the cymbal pads to the cymbal holders and adjust their position, then secure in place. (Please refer to the Owner's Manual that came with the cymbal pads on attaching the cymbal pads.)

## 5 Attaching the drum pads

Attach drum pads to the hexagonal rod cylinder and adjust their position, then secure in place.



**Make sure all bolts on clamps, pads, etc., are firmly tightened. Loose or over-tightened bolts may result in the part falling off and/or damage. Please use caution.**  
After assembly is complete, setup the kick pad, hi-hat control pedal, etc., and connect the cables. Use the supplied cable bands to secure the cables to the frame pipes to keep cables out of the way during performance.  
If the rack is moved even after setup is complete, make sure the bolts are loosened before moving the rack.