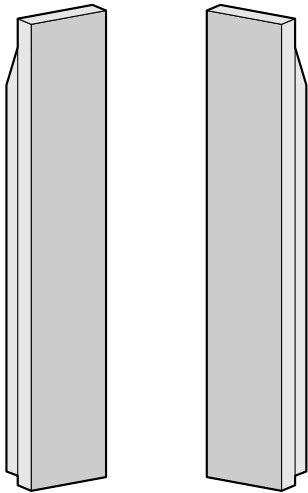


# SP-PDM1



## **Speakers for Wide Plasma Display Operating Instructions**

Before attempting to assemble these accessories, please read these instructions completely.

Please retain this book for future reference.

## **Lautsprecher für Plasmadisplay Bedienungsanleitung**

Bitte lesen Sie vor dem Zusammenbau dieses Zubehörs die Anleitung vollständig durch.

Bitte bewahren Sie diese Anleitung zum späteren Nachschlagen auf.

## **Altoparlanti per lo Schermo al Plasma-16:9**

### **Istruzioni per l'uso**

Prima di cominciare a montare queste parti componenti, leggere completamente queste istruzioni. Conservare questo libretto per consultazioni future.

## **Enceintes pour écran Plasma 16/9ème**

### **Mode d'emploi**

Lisez attentivement ce document avant d'assembler les pièces. Conservez ce document pour référence.

## **Altavoces para Pantalla Panorámica de Plasma**

### **Instrucciones de funcionamiento**

Antes del montaje de este accesorio, lea completamente estas instrucciones. Y guárdelas para utilizarlas como referencia en el futuro.

# Safety Precautions

## CAUTION

### Do not suspend the speakers.

- Personal injury may result if the speakers fall. Take particular care to install the speakers in such a manner that they cannot fall and injure children.

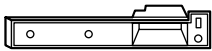
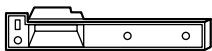
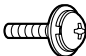
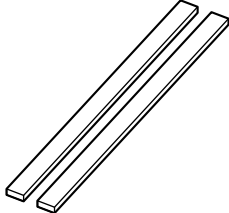
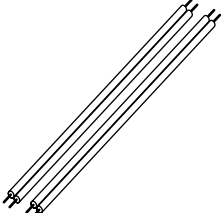
### These speakers are for use with the Wide Plasma Display only.

- If connecting the speakers to any other amplifier, ensure that the rated output level of the amplifier is 8W or less. Fire may result if the output exceeds this level.

### Make sure that all screws are tightened securely during installation.

- If the speakers are not installed securely, they may fall, causing injury to you or others.

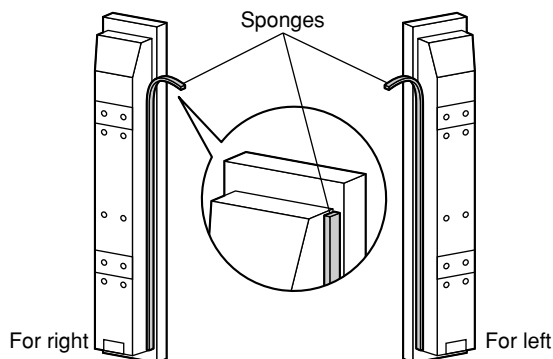
## Accessories

Mounting bracket (right) .....2  Mounting bracket (left) .....2 	Bracket mounting screw .....12 	Sponge .....2 	Speaker cable 7 7/8" (20 cm) .....2 
---	---	---	--

## Installation

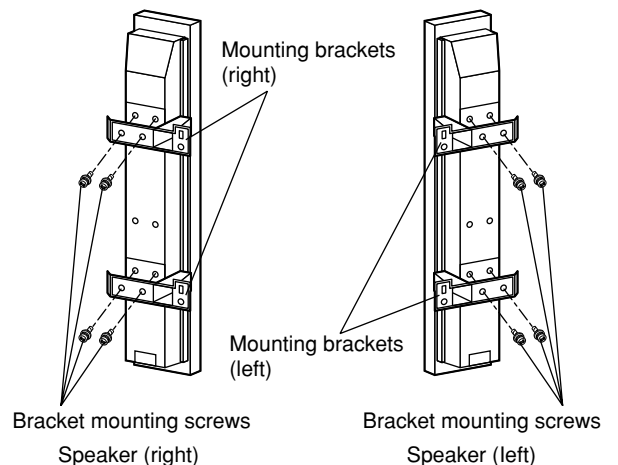
### Installing to the Wide Plasma Display

1. Attach the sponges to the speakers.

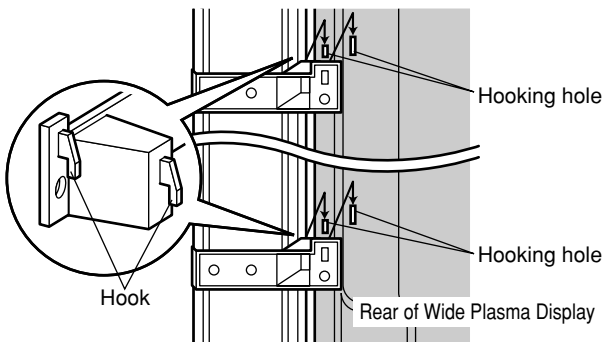


- Clean the surfaces of the speakers before attaching the sponges.
- Attach the sponges to the surfaces which are in contact with the Display.

2. Attach the mounting brackets to the speakers.

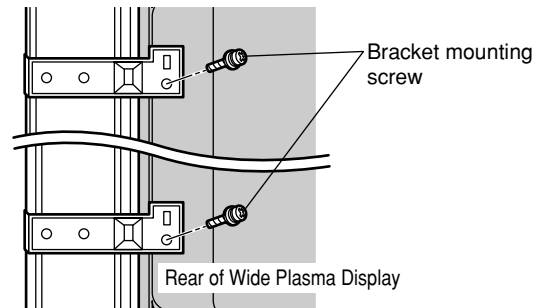


### 3. Attach the speakers to the Wide Plasma Display.



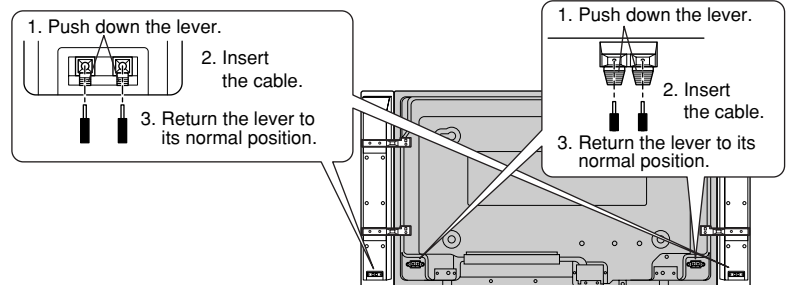
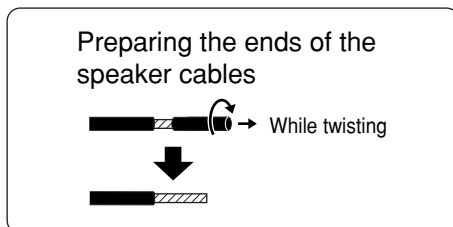
- Clip the hooks on the top and bottom mounting brackets into the corresponding holes at the rear of the Wide Plasma Display simultaneously, and then lower the speaker into place.
- Attach the other speaker in the same manner.

### 4. Secure the speakers in place.



- Adjust the position of the speakers so that there is a uniform clearance between the Wide Plasma Display and the speakers, then securely tighten the bracket mounting screws.
- Secure the top and bottom mounting brackets by tightening the bracket mounting screws.
- Attach the other speaker in the same manner.

### 5. Connect the speaker cables.



- After preparing the ends of the speaker cables as shown, attach the red cable to the (+) terminal and the black cable to the (-) terminal. Do not reverse these connections.

When these speakers are attached to the plasma display they will not lie flat but be angled slightly inwards. This is normal and is done to project an accurate sound.

## Notes on use

1. Take care that the volume output from the Wide Plasma Display does not exceed the rated limits of the speakers, as excess volume can cause damage to these components.
2. Do not place the speakers in the following places:
  - Places which are exposed to direct sunlight
  - Near heaters or other heat sources
  - Places with high humidity
3. This set is equipped with magnetic resistant speakers but be careful not to place them near CRT Televisions as it may cause color patches.
4. If they are extremely soiled, wipe them with a soft cloth that has been soaked in a small amount of household detergent, and then dry with a dry cloth.
  - Do not use solvents such as alcohol or thinner.
  - If using chemically-treated cloths, follow the instructions on the cloth packaging.
5. Remove the dust on the speaker net using a duster or a vacuum cleaner at low power. The net is simply cloth, so to avoid damaging it be careful not to push excessively.

---

### Specifications

Speaker unit	Woofers	3 <sup>9</sup> / <sub>64</sub> " (8 cm dia. x 2)	Weight	5.1 lbs (2.3 kg) (per speaker)
	Tweeter	<sup>63</sup> / <sub>64</sub> " (2.5 cm dia.)	Cabinet material	Styrene plastic
Rated impedance		6 Ω		
Rated input		8 W		
Dimensions (W x H x D)		3.9" x 28.5" x 3.5" (100 mm x 724 mm x 89 mm)		

---

### Technische Daten

Lautsprecher	Tiefen	8 cm dia. x 2	Gewicht	2.3 kg (ein Lautsprecher)
	Hochton	2.5 cm dia.	Gehäusematerial	Styrol
Nennimpedanz		6 Ω		
Nennbelastung		8 W		
Abmessungen (B x H x T)		100 mm x 724 mm x 89 mm		

---

### Specifiche tecniche

Altoparlante	Bassi	8 cm dia. x 2	Peso	2.3 kg (per altoparlante)
	Alti	2.5 cm dia.	Composizione involucro	Stirene
Impedenza		6 Ω		
Livello ingresso		8 W		
Dimensioni (L x A x P)		100 mm x 724 mm x 89 mm		

---

### Spécifications

Enceinte	Woofers	8 cm de dia. x 2	Poids	2.3 kg (par enceinte)
	Tweeter	2.5 cm de dia.	Matériau du coffret	Plastique styrène
Impédance nominale		6 Ω		
Entrée nominale		8 W		
Dimensions (L x H x P)		100 mm x 724 mm x 89 mm		

---

### Especificaciones

Unidad de altavoz	Altavoz para graves	8 cm de diá. x 2	Peso	2.3 kg (por altavoz)
	Altavoz para agudos	2.5 cm de diá.	Material del mueble	plástico de estireno
Impedancia de régimen		6 Ω		
Entrada de régimen		8 W		
Dimensiones (An. x Al. x Prof.)		100 mm x 724 mm x 89 mm		

---

