



SILENT Brass™

Personal Studio™ STJ

取扱説明書

Owner's Manual

Benutzerhandbuch

Mode d'emploi

Manual de instrucciones

Manual do Proprietário

使用说明书

Руководство пользователя

사용설명서

使用説明書



日本語

English

Deutsch

Français

Español

Português

简体中文

Русский

한국어

繁體中文

JA EN DE FR ES PT ZH-CN RU KO ZH-TW

Thank you for purchasing the Yamaha SILENT Brass™ Personal Studio™ STJ. The STJ Personal Studio is a product that can be connected to the Pickup Mute attached to your brass instrument and played while listening to the original sound of your brass instrument without the Pickup Mute via earphones. Also, by connecting a USB cable, you can transmit your performance and your voice to a computer or smart device - allowing you to record your performance to software or take online lessons via a remote conference app installed on those devices. To obtain the maximum performance and enjoyment from your STJ, we urge you to read this Owner's Manual thoroughly before using. Please keep this Owner's Manual in a safe place for later reference.

** SILENT Brass™, Personal Studio™, Pickup Mute™, Brass Resonance Modeling™, and the SILENT Brass™ logo are registered trademarks of Yamaha Corporation.*



About Brass Resonance Modeling™

This product features Brass Resonance Modeling technology developed by Yamaha. **This exclusive technology uses modeling to correct the sound when played with the Pickup Mute to match the resonant characteristics of a brass instrument played without a mute.** The resulting sound has a comfortable resonance that reduces the stress often experienced when playing with a mute.

- * To experience the full Brass Resonance Modeling effect, make sure that the left and right sides of the earphones/ headphones are positioned properly.**
- * When a Pickup Mute™ (PMX Series; the Brass Resonance Modeling compatible) is connected to this product and the power is switched ON, the most suitable mute setting is recalled and the red indicator lights in one of the following patterns.**

Trumpet PM7X	• - •
Flugelhorn PM6X	• • - •
Trombone PM5X	• • •
French horn PM3X	• • • •

Euphonium PM2X	• - - •
Tuba PM1X	- • • •
Incompatible Mute * Setting is invalid.	- - -

- : Short flash
- : Longer flash

* If the Pickup Mute is not connected, the indicator will flash continuously.

PRECAUTIONS

PLEASE READ CAREFULLY BEFORE PROCEEDING

Please keep this manual in a safe and handy place for future reference.



WARNING

Always follow the basic precautions listed below to avoid the possibility of serious injury or even death from electrical shock, short-circuiting, damages, fire or other hazards. These precautions include, but are not limited to, the following:

Do not disassemble

- Do not attempt to disassemble the internal parts or modify them in any way.

Water warning

- Do not expose the product to rain, use it near water or in damp or wet conditions, or place on it any containers containing liquids which might spill into any openings or places where water may drop. A liquid such as water getting into the product may cause a fire, electric shocks, or malfunctions.

Fire warning

- Do not place any burning items or open flames near the product, since they may cause a fire.

Batteries

- Do not dispose of a battery in a fire.
- Do not expose the battery to conditions of extreme low air pressure, cold or heat (such as in direct sunlight or a fire) or excessive dust or humidity. Doing so may result in the battery bursting, causing a fire or injury.
- Follow the precautions below. Failure to do so might result in battery fluid leakage. If the contents of the battery gets on your hands or in your eyes, it can cause blindness, chemical burns, and damage of the product.
 - Use only the specified battery type (page 11).
 - Do not use new batteries together with old ones.
 - Do not mix battery types.
 - Always make sure all batteries are inserted in conformity with the +/- polarity markings.
 - Do not disassemble a battery.
 - When the batteries run out, or if the product is not to be used for a long time, remove the batteries from the product.
 - Do not attempt to recharge batteries that are not designed to be charged.

- If the batteries do leak, avoid contact with the leaked fluid. If the battery fluid should come in contact with your eyes, mouth, or skin, wash immediately with water and consult a doctor. Battery fluid is corrosive and may possibly cause loss of sight or chemical burns.
- When using rechargeable batteries, follow the instructions that came with the batteries. Use only the specified charger device and within the specified charging temperature range when charging. Charging with an unspecified charger or at a temperature outside the range may cause leakage, overheating, explosion, or malfunction.
- Keep batteries away from children. A child could accidentally swallow a battery. Failure to observe this may also cause inflammation due to battery fluid leaks.
- Do not put batteries in a pocket or bag, or carry or store them together with pieces of metal. Batteries kept in such condition could short, burst, or leak, causing a fire or injury.

If you notice any abnormality

- If any of the following problems occur, immediately turn off the power switch and disconnect the power plug from the outlet. If you are using batteries, remove all batteries from the product. Finally, have the device inspected by Yamaha service personnel.
 - Unusual smells or smoke are emitted.
 - Some object, or water has been dropped into the product.
 - There is a sudden loss of sound during use of the product.



CAUTION

Always follow the basic precautions listed below to avoid the possibility of physical injury to you or others, or damage to the product or other property. These precautions include, but are not limited to, the following:

Location

- Do not place the product in an unstable position or a location with excessive vibration, where it might accidentally fall over and cause injury.

Connections

- Before connecting the product to other electronic components, turn off the power for all components. Before turning the power on or off for all components, set all volume levels to minimum.
- Be sure to set the volumes of all components at their minimum levels and gradually raise the volume controls while playing the product to set the desired listening level.

Handling

- Do not rest your weight on, or place heavy objects on the product, and do not use excessive force on the buttons, switches or connectors.
- Do not use the product or headphones for a long period of time at a high or uncomfortable volume level, since this can cause permanent hearing loss. If you experience any hearing loss or ringing in the ears, consult a physician.
- If the earphones/headphones irritate your skin, stop use immediately.

Yamaha cannot be held responsible for damage caused by improper use or modifications to the product.

- Always turn the power off when the product is not in use.
- Even when the [⏻] (Standby/On) switch is in standby status (power lamp is off), electricity is still flowing to the product at the minimum level. When you are not using the product for a long time, make sure you unplug the power cord from the wall AC outlet.
- Make sure to discard used batteries according to local regulations.

NOTICE

To avoid the possibility of malfunction/ damage to the product, damage to data, or damage to other property, follow the notices below.

■ Handling

- Do not use the product in the vicinity of a TV, radio, stereo equipment, mobile phone, or other electric devices. Otherwise, the product, TV, or radio may generate noise.
- When you use the product along with an app on your smart device, such as a smartphone or tablet, we recommend that you enable “Airplane Mode” on the device to avoid noise caused by communication.
- Depending on the condition of surrounding radio waves, the product may possibly malfunction.
- Do not expose the product to excessive dust or vibrations, or extreme cold or heat (such as in direct sunlight, near a heater, or in a car during the day) to prevent the possibility of disfiguration, damage to the internal components or unstable operation.
- Do not place vinyl, plastic or rubber objects on the product, since this might discolor the product.
- When storing your instrument, do not leave the included cable in contact with the surface of your instrument, since doing so may discolor the surface. If the surface does become discolored, you can wipe off discoloration by cleaning in the normal fashion.

■ Maintenance

- When cleaning the product, use a soft and dry/slightly damp cloth. Do not use paint thinners, solvents, alcohol, cleaning fluids, or chemical-impregnated wiping cloths.

■ About this manual

- The illustrations as shown in this manual are for instructional purposes only.
- iPhone, iPad, and Lightning are trademarks of Apple Inc., registered in the U.S. and other countries.
- Android is trademark of Google LLC.
- The company names and product names in this manual are the trademarks or registered trademarks of their respective companies.

■ About disposal

- When disposing of this product, please contact the appropriate local authorities.

Accessories

Please make sure that the following accessories has been included.

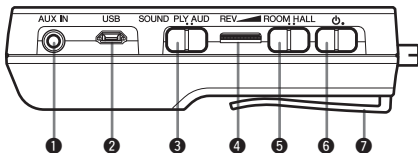
- Stereo earphones with microphone × 1
- USB cable × 1
- Owner’s manual (this document) × 1

* In case you have purchased this product separately, you will need to purchase the Pickup Mute separately.



Controls and Functions

■ Right side of this product



1 AUX IN jack

Use a commercially available audio cable to connect an external audio player or other such device to the AUX IN jack for playing along with audio from the external device.

* Use the volume control on the external audio device to control its volume.

2 USB terminal

Micro USB Type-B terminal. For connection to a computer or smart device with a USB cable. Refer to the page 10 for how to connect.

3 Sound mode switch

Changes the way you hear when you play an instrument. [PLY] is a way of hearing that reproduces the state in which you are playing an instrument (PLAYER mode). Suitable for individual practice.

In [AUD], the listening method reproduces the state in which you are listening to the performance in front of the player (AUDIENCE mode). This is suitable for outputting your performance to a computer or smart device.

4 Reverb dial

Adjust the reverb effect level.

5 Reverb type switch

Select the type of reverb (ROOM, HALL).

6 [⏻] (Standby/On) switch

When sliding this switch to the “•” position to turn on this product, the indicator lights in blue.

* Be sure to remove the stereo earphones and headphones from your ears when operating this switch.

● Enabling / Disabling Auto Power Off

To prevent unnecessary power consumption, the product features an Auto Power Off function that automatically turns the power off if the product is not operated for a specified period of time (30 minutes). By default, this function is set to on; however, this setting can be changed with the following steps.

1. With the power turned off, slide the reverb type switch to [HALL].
2. Within 1 second of turning on the power, slide the Reverb Type switch from [HALL] to [ROOM] and quickly return it to [HALL].

When set successfully, the power indicator flashes in red twice.

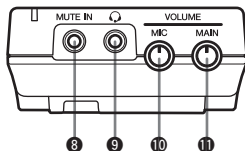
NOTE

The auto power off setting is not reserved in this product.

7 Clip

You can use this clip to attach this product to your belt or pocket.

■ Top side



8 MUTE IN jack

Connect the cable from the Yamaha Pickup Mute™.

- * Always turn the power of this product off before connecting.
- * The MUTE IN jack also supplies the Pickup Mute™ with power. Do not connect any device other than the Yamaha Pickup Mute to this jack.

9 [Headset icon] Headset jack (4-pole stereo mini)

Connect the included stereo earphones with microphone (CTIA standard), or a commercially available set of stereo earphones or headphones. It also serves as an external output terminal, and you can record your performance to an external recording device by connecting with a commercially available audio cable.

- * Audio output is optimized for use with stereo earphones. Connecting any other device may result in inferior audio quality.

- * The stereo earphone sound via the MUTE IN jack will make the left- and right-ear balance almost the same as that when you play the brass instrument without this product.
- * Do not connect the headset jack to a microphone jack (or mic/line jack) on a computer audio interface, mixer, etc., that supplies power to the connected device (plug-in-power, phantom power, etc.). Doing so may result in malfunction.
- * The microphone sound of the stereo earphone with microphone is output only to USB Audio.
- * When using a commercially available set of stereo earphones or headphones, use one with a length of less than 3 m.

10 Microphone volume control (VOLUME/MIC)

Adjust the microphone volume of the attached earphones with microphone connected to the headset jack 9.

NOTE

If you are recording only the playing sound, minimize the microphone volume control to reduce noise.

11 Volume control (VOLUME/MAIN)

Adjust the volume level of the PHONES jack and the USB terminal.



Installing/Replacing Batteries

The device is powered by two AA alkaline or nickel-metal hydride* batteries.

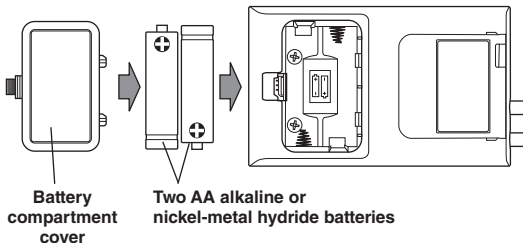
* The device may not function properly due to the discharging characteristics of some nickel-metal hydride batteries.

Before replacing batteries, make sure that the power of this product is turned off.

1. Remove the battery compartment cover on the back of this product, and then remove the old batteries.
2. Install the new batteries following the polarity markings in the illustration.
3. Replace the battery compartment cover.

* The indicator lights red when battery power is low. The unit automatically switches off when power is depleted. Please replace the batteries with a fresh set as soon as possible.

* Follow the "PRECAUTIONS" section for cautions regarding the use of batteries.





Using the SILENT Brass

Included stereo earphones with microphone

Listen to your performance with the earphones and enter your voice into the microphone.

Do not disturb your neighbours during late hours.

Pickup Mute

* Included when sold as a set

◀ Signal path

MIC audio signal

MUTE IN

MUTE IN / MIC / AUX IN audio signal

USB (Included USB cable)

Computer / smart device audio signal

AUX IN

Computer or smart device

(Recording software and remote conference app)

Personal Studio
STJ

Audio player etc.

 **CAUTION**

Accidentally disconnecting the cable while the power is ON, or subjecting the unit to a strong shock may cause a loud noise that can damage your hearing and the unit. Please use caution.

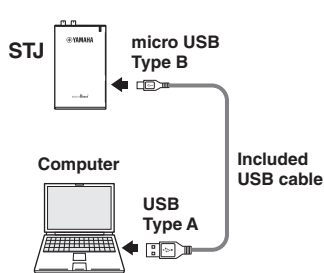


Connecting to a computer or smart device

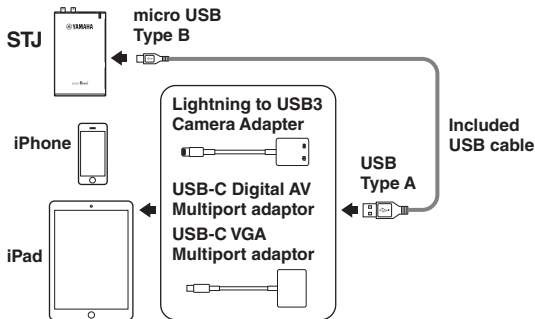
By connecting this product to a computer or smart device with the included USB cable, you can transmit your performance sound, recorded with the Pickup Mute, and your voice of the included earphones with microphone to the computer or smart device. Also, you can listen to audio from the connected computer or smart device.

- * Purchase a commercially available conversion adapter.
- * Use the included USB cable. When using a commercially available USB cable, use one with a length of less than 3 m.
- * Adjust the audio volume of the connected computer or smart device on the computer or smart device side.
- * When connecting to a computer or smart device, turn on the product before connecting the USB cable.
- * If the connected device does not recognize this product, disconnect and reconnect the USB cable while the power is on.

■ Connecting to your computer ■ Connecting to your iPhone/iPad



- * If you are using music production software on a Windows 10 64-bit computer, make sure to obtain and install the Yamaha Steinberg USB driver from the Yamaha official website.

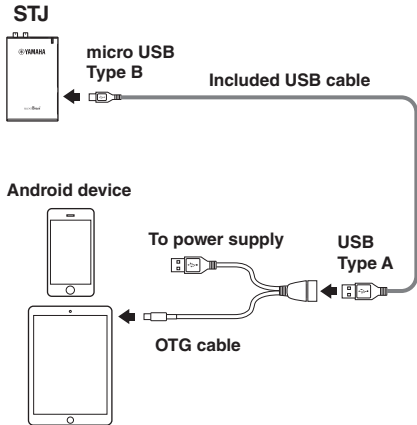


- * When using a conversion adapter, be sure to supply power to the conversion adapter.
- * Information here on the conversion adapter applies to the latest available when this product was released.



Specifications

■ Connecting the STJ to your Android device



- * When using a conversion adapter, be sure to supply power to the conversion adapter.
- * Information here on the conversion adapter applies to the latest available when this product was released.

Connecting terminals:

MUTE IN, AUX IN, PHONES, USB (micro USB Type-B)

Controls:

Volume control, Microphone Volume control, Reverb Type switch, Reverb dial, Standby/On switch, Sound mode switch

Power supply:

Two "AA" size alkaline or Ni-MH rechargeable batteries

Size:

70.2 (W) × 30 (D) × 121.3 (H) mm

Weight:

112 g (not including batteries)

Accessories:

Stereo earphones with microphone (CTIA standard) × 1,
USB cable × 1, Owner's manual (this document) × 1

- * The contents of this manual apply to the latest specifications as of the publishing date. To obtain the latest manual, access the Yamaha website, and then download the manual file.

YAMAHA CORPORATION

10-1 Nakazawa-cho, Naka-ku, Hamamatsu, 430-8650 Japan

Yamaha Global Site

<https://www.yamaha.com/>

Yamaha Downloads

<https://download.yamaha.com/>

© 2023 Yamaha Corporation

Published 01/2023

2023年1月 发行

IPES-A0

VFU6650