



マルチパーカッションラックビブラフォン
Multi-Frame Vibraphones
Vibraphones multi-cadre

YVRD2700 YVRD2700G

取扱説明書
Owner's Manual
Mode d'emploi



組み立ての前に、「安全上のご注意」を必ずお読みください。

Be sure to read "PRECAUTIONS" before assembly.

Assurez-vous de lire la section "PRÉCAUTIONS D'USAGE" avant le montage.

日本語

English

Français

JA EN FR

Multi-Frame Vibraphones

YVRD2700

YVRD2700G

Owner's Manual

FCC INFORMATION (U.S.A.)

- 1. IMPORTANT NOTICE: DO NOT MODIFY THIS UNIT!**
 This product, when installed as indicated in the instructions contained in this manual, meets FCC requirements. Modifications not expressly approved by Yamaha may void your authority, granted by the FCC, to use the product.
- 2. IMPORTANT:** When connecting this product to accessories and/or another product use only high quality shielded cables. Cable/s supplied with this product **MUST** be used. Follow all installation instructions. Failure to follow instructions could void your FCC authorization to use this product in the USA.
- 3. NOTE:** This product has been tested and found to comply with the requirements listed in FCC Regulations, Part 15 for Class "B" digital devices. Compliance with these requirements provides a reasonable level of assurance that your use of this product in a residential environment will not result in harmful interference with other electronic devices. This equipment generates/uses radio frequencies and, if not installed and used according to the instructions found in the users manual, may cause interference harmful to the operation of other electronic devices. Compliance

with FCC regulations does not guarantee that interference will not occur in all installations. If this product is found to be the source of interference, which can be determined by turning the unit "OFF" and "ON", please try to eliminate the problem by using one of the following measures:

- Relocate either this product or the device that is being affected by the interference.
- Utilize power outlets that are on different branch (circuit breaker or fuse) circuits or install AC line filter/s.
- In the case of radio or TV interference, relocate/reorient the antenna. If the antenna lead-in is 300 ohm ribbon lead, change the lead-in to co-axial type cable.

If these corrective measures do not produce satisfactory results, please contact the local retailer authorized to distribute this type of product. If you cannot locate the appropriate retailer, please contact Yamaha Corporation of America, 6600 Orangethorpe Avenue, Buena Park, CA 90620, U.S.A.

The above statements apply **ONLY** to those products distributed by Yamaha Corporation of America or its subsidiaries.

(529-M04 FCC class B YCA 02)

COMPLIANCE INFORMATION STATEMENT (Supplier's declaration of conformity procedure)

Responsible Party : Yamaha Corporation of America
 Address : 6600 Orangethorpe Avenue, Buena Park, CA. 90620, U.S.A.
 Telephone : 714-522-9011
 Type of Equipment : Multi-Frame Vibraphones
 Model Name : YVRD2700 YVRD2700G

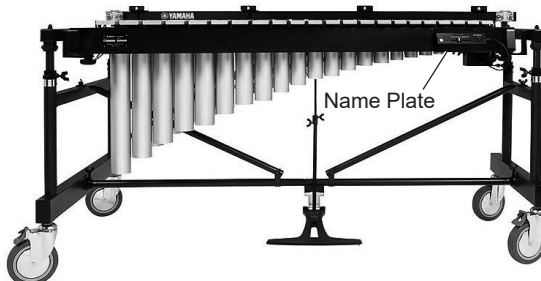
This device complies with Part 15 of the FCC Rules.
 Operation is subject to the following two conditions:
 1) this device may not cause harmful interference, and
 2) this device must accept any interference received, including interference that may cause undesired operation.

(529-M02 FCC sdoc YCA 02)

The model number, serial number, power requirements, etc., may be found on or near the name plate, which is at the bottom of the unit. You should note this serial number in the space provided below and retain this manual as a permanent record of your purchase to aid identification in the event of theft.

Model No. _____

Serial No. _____



(1003-M06 plate bottom en 01)

PRECAUTIONS

PLEASE READ CAREFULLY BEFORE PROCEEDING

Please keep this manual in a safe and handy place for future reference.

CAUTION

Always follow the basic precautions listed below to avoid the possibility of physical injury to you or others, or damage to the instrument or other property. These precautions include, but are not limited to, the following:

Do not disassemble

- Repairs or part replacement should not be attempted unless instructions are provided in the manual.
- Do not disassemble the gas spring. Since high-pressure gas is sealed inside the gas spring, any attempt to disassemble it is dangerous and creates a high risk of injury.

Assembly

- Assembling/disassembling the rack and/or mounting/removing the instrument should always be done on a floor that is flat and stable. Doing so on an unstable, sloped, or stepped surface can result in the instrument falling over.
- When adjusting the height with percussion instruments other than the vibes (cymbals, snare, etc.) attached to the rack, remove the instruments before adjusting, then reattach after adjustment is complete. Adjusting height with the instruments on the rack can result in pinched fingers, hands, etc., causing injury.
- Assemble the instrument in the proper sequence by following the assembly instructions in this manual. Also, make sure to tighten the screws or bolts regularly. Failure to do so may result in damage to the instrument or cause the instrument to overturn, possibly causing injury.
- Never mount an instrument using a clamp that does not fit the rack pipe size. Doing so can create a danger and cause the instrument to fall off.

Transportation and Installation

- When assembling or moving the instrument, always use two or more people. Failure to do so might result in damage to the instrument or the instrument overturning, possibly causing injury.
- Do not place the instrument in an unstable position where it might accidentally fall over.
- Lock both left and right casters except when moving or transporting the instrument. Failure to do so might result in the instrument moving or overturning, possibly causing injury.

- When lifting and transporting the instrument, support the side frames with two or more people.
- The instrument should only be moved across smooth, flat surfaces when using the casters. On a sloped, unstable or gravel surface, the instrument may overturn or run out of control, and possibly cause injury.
- Never run when moving or transporting the instrument using the casters. Doing so can result in the instrument hitting an obstacle or wall and causing serious injury.
- Do not go near the instrument during an earthquake. Strong shaking during an earthquake could cause the instrument to move or tip over, resulting in damage to the instrument or its parts, possibly causing injury.

Handling

- When the instrument rattles, makes noise or vibrates, immediately stop using it, and tighten all screws again. Failure to do so may result in the instrument overturning and could possibly cause injury.
- Never touch the rotating pulleys. Doing so may result in pinching your fingers, etc.
- Do not insert your hands or feet in any gaps on the casters or active parts of the pedal. Doing so may result in them being pinched and could possibly cause injury.
- Do not play around the instrument. Doing so may cause you to bump into the instrument, possibly resulting in injury. It also may cause the instrument to overturn. Do not allow children to play around the instrument.
- Do not lean, rest your weight or place heavy objects on the instrument. Doing so may result in the instrument overturning, damage to the tone bars or frame, or injury to you or others.
- Keep small parts out of the reach of infants. Your children may accidentally swallow them.

Yamaha cannot be held responsible for damage caused by improper use or modifications to the instrument.

NOTICE

To avoid the possibility of damage to the product, follow the notices below.

■ Handling

- Do not strike the tone bars with glockenspiel mallets or any other solid objects. Doing so may dent or scratch the tone bars, altering their pitch.
- Do not use the instrument in locations with poor ventilation.
- When moving the instrument, make sure all caster stoppers are released. Lift the instrument slightly whenever moving it over surfaces that are not smooth or flat.
- When moving the instrument, move it gently avoiding shocks and impacts. The instrument is sensitive to shocks and may become damaged.
- If the instrument is often moved, screws, parts, etc., may become loose. After moving the instrument, check and make sure all screws, parts, etc., are firmly fastened. Firmly tighten all loose items.
- Do not apply excessive force to lift the frame end as it may pull the gas spring off from the leg.
- Do not expose the instrument to rain, water, excessive dust or vibrations, or extreme cold or heat (such as in direct sunlight, near a heater, or in a car during the day) to prevent the possibility of instrument disfiguration or malfunction.
- Do not place vinyl, plastic or rubber objects on the instrument, since this might discolor the instrument.
- Do not attach optional instruments to the rack with poor balance. Because the rack can overturn or the optional instruments can drop off, this is extremely dangerous. Always make sure that the instruments are attached to the rack using the specially designed clamps, and that they are positioned to provide good balance on the rack. Attaching instruments in a poorly balanced manner outside of the rack frame or rack pipe can cause the instrument to overturn.

■ Maintenance

- When cleaning the tone bars, wipe with a soft and dry cloth. Stains that are visible may be wiped off using a small amount of ethyl alcohol applied to a soft cloth. Do not use paint thinners, solvents or a wet cloth.

INFORMATION

■ About this manual

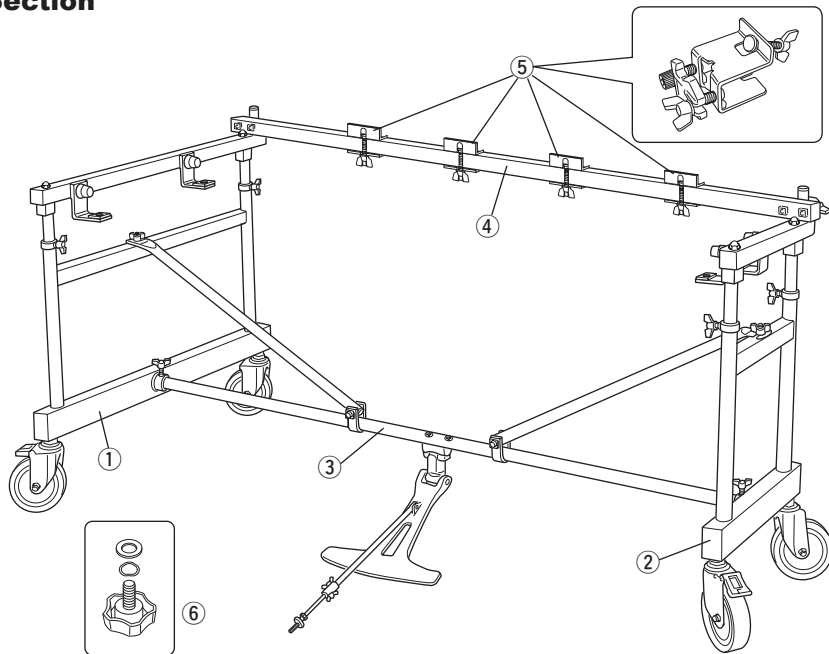
- The illustrations as shown in this manual are for instructional purposes only, and may appear somewhat different from those on your instrument.
- The company names and product names in this manual are the trademarks or registered trademarks of their respective companies.

Confirmation of Packing Contents

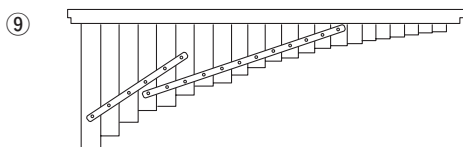
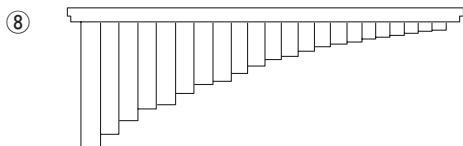
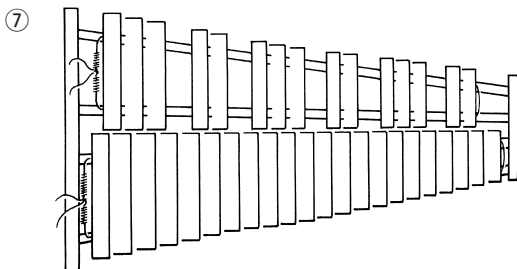
Before assembling the instrument, confirm that all parts are included as listed.

* If any parts are missing, please contact the dealer where the instrument was purchased.

■ Rack Section



■ Instrument Section

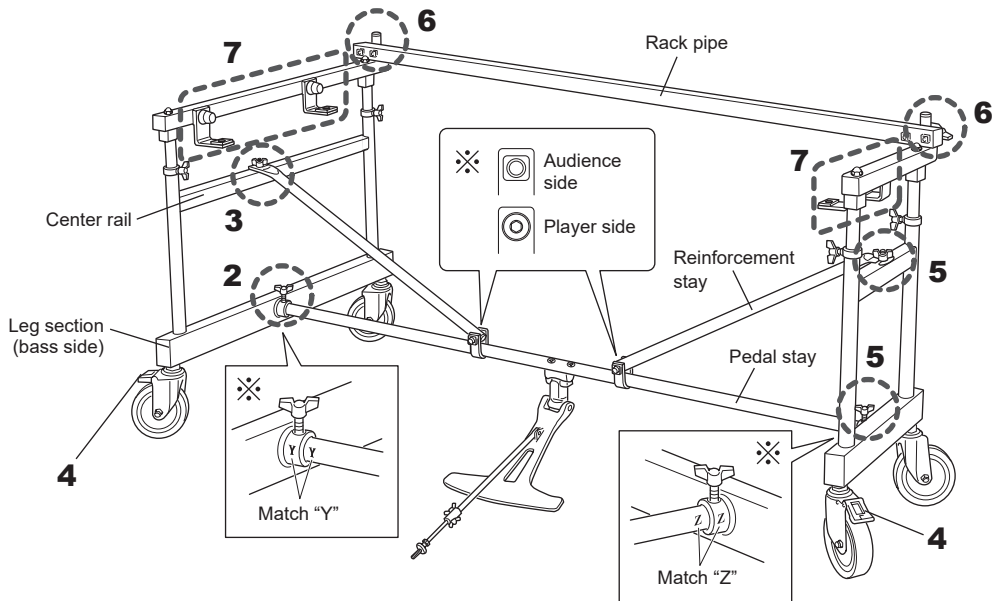


- ① Leg Base Unit (Bass side) x 1
- ② Leg Base Unit (Treble side) x 1
- ③ Pedal Stay x 1
- ④ Rack pipe x 1
- ⑤ Multi-Frame Clamp (RDC-10) x 4
- ⑥ Knob Head Bolt/Spring Washer/Washer x 4 set
- ⑦ Vibraphone Main Unit x 1
- ⑧ Resonators (Natural tone side) x 1
- ⑨ Resonators (Accidental tone side) x 1

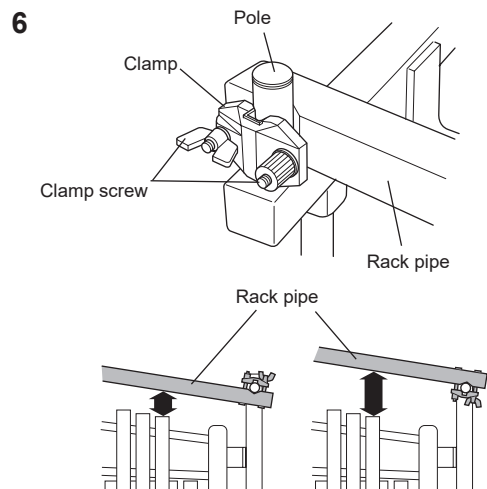
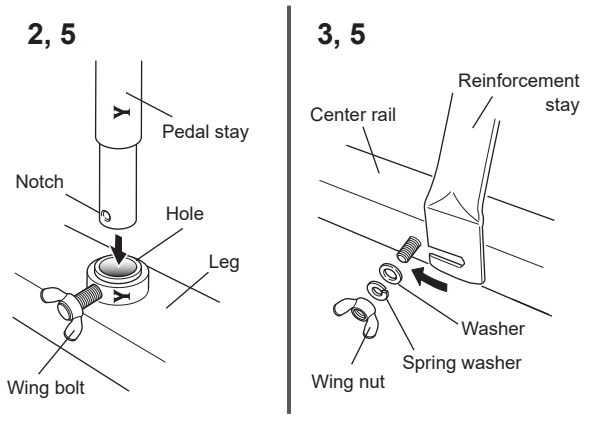
Assembly



For safety, assembly should be performed by at least 2 persons in a location with sufficient space.

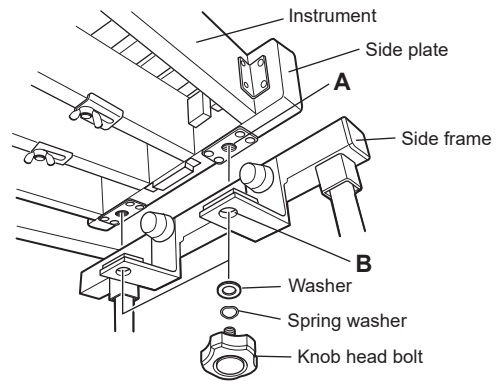


1. Place the bass side leg section on a rug or other soft material spread on the floor with the hole for the pedal stay facing up.
2. Insert the pedal stay all the way into the hole on the bass side leg base plate so the notch aligns with the wing bolt, then tighten the wing bolt securely.
 - * Pay attention to the orientation of the pedal stay when installing it. Parts are marked with letters to assist with assembly. (Refer to ※ in the illustration above.)
3. Remove the wing nut, spring washer, and washer from the bolt located on the center rail of the bass side leg, and slide the slotted end of the reinforcement stay onto the bolt, then secure the stay with the washer, spring washer, and wing nut.
4. Position the bass side leg section upright, and lock the caster brake.
5. In the same manner, connect the pedal stay and reinforcement stay to the treble side leg section.
6. Loosen the clamp screws on both ends of the rack pipe and fasten the clamps onto the poles on the upper leg section. The rack pipe can be attached so its clamp side is either on the audience side or the player's side of the pole. Decide how much space you need between the rack pipe and tone bars and attach the rack pipe accordingly.



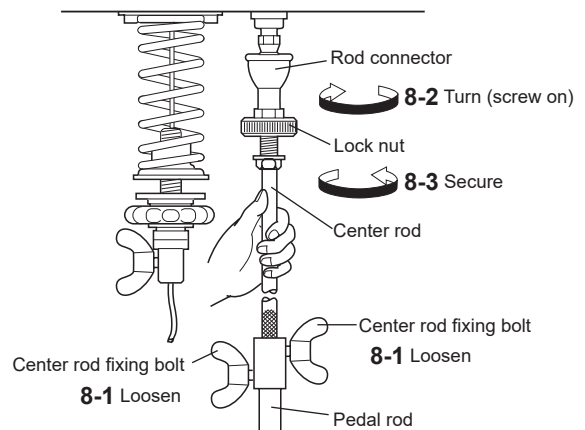
Assembly

7. Attach the instrument to the rack.
 Position the instrument on the rack with the bolt holes (A) located on the side plate of the instrument aligned with the holes (B) on the rack side frame. Using the washers, spring washers, and knob head bolts supplied with the rack, attach the instrument to the rack from the underside of the rack (four locations).



Take care not to pinch your fingers when placing the instrument onto the rack.

8. Attach the pedal rod to the instrument.
- 8-1. Loosen the center rod fixing bolts to extend the center rod.
 - 8-2. Connect the center rod with the fitting of the rod connector by firmly holding the center rod while turning the rod connector.
 - 8-3. Tighten the rod connector until it stops, and then secure with the lock nut.

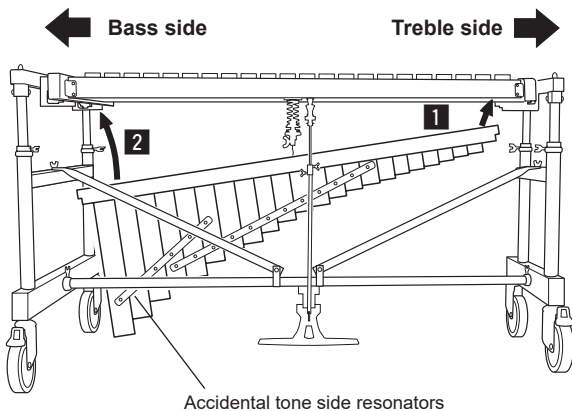


9. Attach the resonators.
 Insert the resonators from underneath the frame and rest the treble side and then the bass side onto the resonator holders (rubber).

- * Make sure not to confuse the natural tone side and accidental tone side resonators.
- * Take care not to bump the resonators against the legs etc.

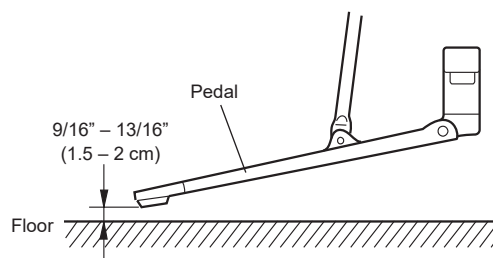
1 First, place the treble side onto the corresponding resonator holders.

2 To engage the bass side, lift it over the resonator holders and then insert it into the gap between the two holders, as shown in the illustration.



10. Pedal Stroke Adjustment

Loosen the center rod fixing bolts (refer to page 6) to adjust the protruding length of the center rod to the desired pedal stroke, and retighten the bolts. The recommended stroke (distance between pedal and floor) is 9/16" to 13/16" (1.5 – 2 cm).

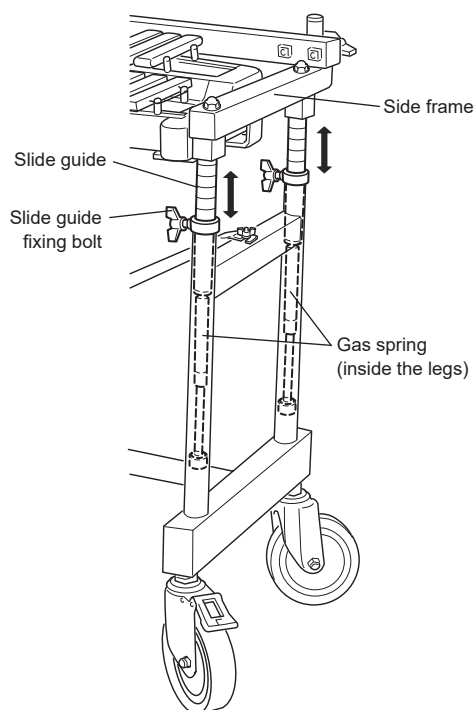


11. Tone Bar Height Adjustment

11-1. Loosen the slide leg fixing bolts while supporting both the bass and treble side frames by hand.

11-2. Gas springs in the rack slide guides will cause the instrument to rise automatically. After adjusting the instrument to the required height, tighten the fixing bolts firmly. Use the guides on the slide guides to adjust the playing surface so it is parallel to the floor.

12. After assembly, confirm that each bolt is tightened securely.



Assembly

13. Attach the supplied multi-frame clamp (RDC-10) to the rack pipe.

- * Clamps can be attached as needed according to the accessories used.

- * The illustration shows one installation example.

13-1. Loosen the wingnut of the multi-frame clamp, and then remove the bolt from the slit.

13-2. Slide on the clamp at the position where the accessory will be installed.

13-3. Place the bolt back into the slit in the clamp with the washer on the outside of the clamp.

13-4. Tighten the wingnut to firmly secure the clamp.

NOTICE

- Make sure that the wingnut is not loose.

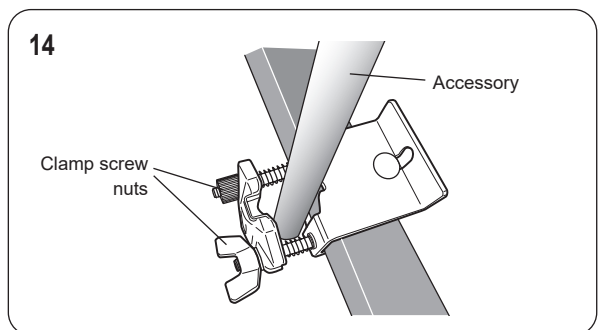
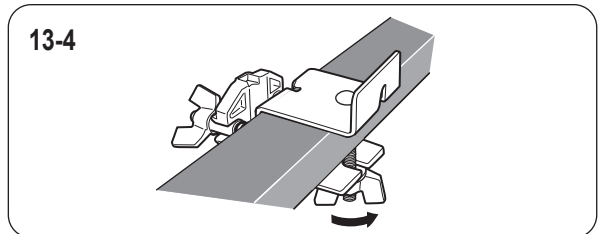
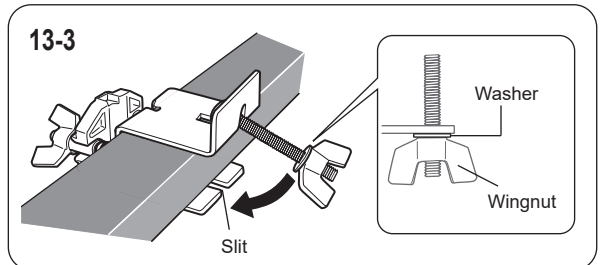
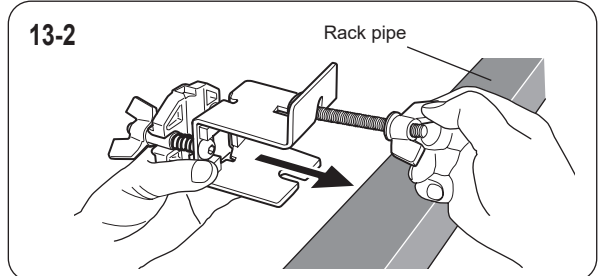
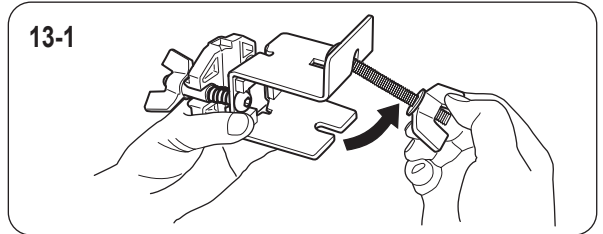
14. Attach the accessory to the clamp.

14-1. Loosen the clamp screw nuts, spread open the clamp, and then insert the accessory.

14-2. Tighten the clamp screw nuts to secure the accessory.

NOTICE

- Make sure that the clamp screw nuts are not loose.

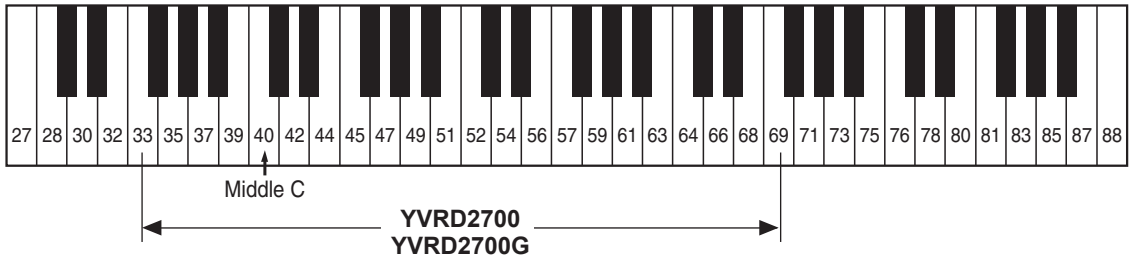


Specifications

YVRD2700 YVRD2700G

- Range.....f–f3, 3 Octaves
- Standard Pitch.....A = 442 Hz
- BarsAluminum Alloy
- Bar sizes39–57 mm wide, 13 mm thick
- Tone Bar Finish.....YVRD2700: Matte Anodized Silver Finish
YVRD2700G: Anodized Gold Mirror Finish
- Dimensions (W x D x H)169 x 107 x 85–100 cm (66-1/2" x 42-1/8" x 33-1/2"–39-3/8")
- Weight.....71 kg (156 1/2 lbs)
- Castors..... ϕ 150mm Large Caster (with double brake)
- Accessories.....Multi-Frame Clamp (RDC-10) x 4

● SCALE RANGE



* The contents of this manual apply to the latest specifications as of the publishing date.

About the dedicated vibraphone drive unit

The YVRD2700 YVRD2700G dedicated vibraphone drive unit can be purchased as a service part through a Yamaha distributor. For details, please contact the store where you purchased the main unit.

PRECAUTIONS

PLEASE READ CAREFULLY BEFORE PROCEEDING

Please keep this manual in a safe and handy place for future reference.

WARNING

Always follow the basic precautions listed below to avoid the possibility of serious injury or even death from electrical shock, short-circuiting, damages, fire or other hazards. These precautions include, but are not limited to, the following:

Do not disassemble

- This product contains no user-serviceable parts. Do not open the units or attempt to disassemble or modify the internal components in any way. If they should appear to be malfunctioning, discontinue use immediately and have it inspected by qualified Yamaha service personnel.
- Repairs or part replacement should not be attempted unless instructions are provided in the manual.

Handling

- Do not use or store the units in any of the following locations. Doing so may cause fire or electric shock.
 - In places subject to high temperatures (near a heating device or in direct sunlight, etc.).
 - In places subject to low temperatures.
 - In places where the units may be exposed to moisture (bathroom, on wet floors, etc.) and excessive humidity.
 - In places where the units may be exposed to rain.
 - In places with excessive dust.
 - In places subject to vibrations.
- Never insert or remove an electric plug with wet hands. Improper grounding may result in electrical shock.
- Never put foreign objects (combustible objects, coins, wire, etc.) or liquids (water, juice, etc.) in the units. Doing so can cause fire or electrical shock.

Power supply/AC adaptor

- Only use the voltage specified as correct for the instrument. The required voltage is printed on the name plate of the instrument.
- Do not place the power cord of the AC adaptor near heat sources such as heaters or radiators. Also, do not excessively bend or otherwise damage the cord or place heavy objects on it.
- Use the specified AC adaptor only. Using the wrong AC adaptor can result in damage to the units or overheating.
- Check the electric plug periodically and remove any dirt or dust which may have accumulated.
- Do not connect the controller unit to an electrical outlet using a multiple-connector. Doing so may cause the outlet to overheat.
- When removing the electric plug from the unit or an outlet, always hold the plug itself and not the cord. Pulling by the cord can damage it.
- Turn off the power switch and remove the electric plug from the outlet when the unit is not being used or during electrical storms.

If you notice any abnormality

- When one of the following problems occur, immediately turn off the power switch, unplug the AC adaptor and have the device inspected by Yamaha service personnel.
 - If the AC adapter or power cord becomes damaged.
 - If foreign objects or liquids have gotten into the unit.
 - If the unit gets wet (rain, etc.).
 - If the unit operates abnormally or is broken.

DMI-7 1/2

CAUTION

Always follow the basic precautions listed below to avoid the possibility of physical injury to you or others, or damage to the units or other property. These precautions include, but are not limited to, the following:

Handling

- Treating the controller or driver roughly may damage the internal circuit board, etc.
- Keep small parts out of the reach of infants. Your children may accidentally swallow them.
- Do not place heavy objects on the units, and do not use excessive force on the buttons, switches or connectors.
- Never touch the rotating pulleys. Doing so may result in pinching your fingers, etc.

Assembly

- Assemble the units in the proper sequence by following the assembly instructions in this manual. Also, make sure to tighten screws or bolts regularly. Failure to do so may result in damage to the units or even injury.
- Use the bolts that comes with the vibraphone.

Transportation and Installation

- Do not place the units in an unstable position where it might accidentally fall over.
- Before moving the instrument, disconnect all cables to prevent damage to the cables and injury to anyone who might trip over them.
- When setting up the instrument, make sure the AC outlet you are using is easily accessible. If some trouble or malfunction occurs, immediately turn off the power switch and disconnect the plug from the outlet. Even when the power switch is turned off, electricity is still flowing to the product at the minimum level. When the unit is not in use for extended periods of time, unplug the power cord from the wall AC outlet.
- When moving the instrument, move it gently avoiding shocks and impacts. The instrument is sensitive to shocks and may become damaged.

Yamaha cannot be held responsible for damage caused by improper use or modifications to the instrument.

Always turn the power off when the instrument is not in use.

DMI-7 2/2

NOTICE

- Do not handle this unit roughly. Otherwise, the internal circuitry may become damaged.
- Do not use the units in locations with poor ventilation.
- Parts such as switches, volume control and jacks are called consumable parts and their functions will deteriorate over time. The level of deterioration will vary depending upon the conditions under which the units are used. However, deterioration cannot be completely avoided. When replacing consumable parts, please contact your dealer or qualified Yamaha service personnel.
- Do not place vinyl, plastic or rubber objects on the instrument, since this might discolor the units.
- When cleaning the units, wipe with a soft, dry cloth. Do not use paint thinners, solvents, alcohol, cleaning fluids or chemical-impregnated wiping cloths.

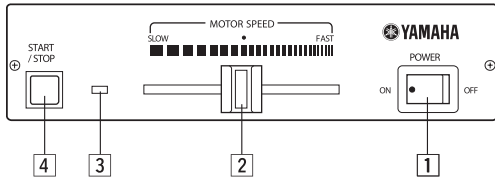
INFORMATION

- The illustrations as shown in this manual are for instructional purposes only and may appear somewhat different from those on your instrument.
- The company and product names in this manual are trademarks or registered trademarks of their respective companies.

Things Necessary

■ Vibraphone Drive Unit (YVM-200)

● Controller (Player Side)



1 POWER Switch

Turns the power on and off.

2 MOTOR SPEED Slider

Controls the fan rotation speed.

3 LED Indicator

Lights when the power is turned on and flashes while the fan is rotating.

4 START/STOP Button

Starts and stops fan rotation.

5 DC 12-15V IN Jack

Connects the power adaptor plug.

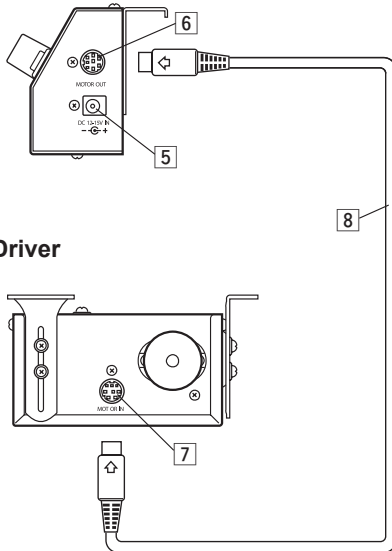
6 MOTOR OUT Terminal

7 MOTOR IN Terminal

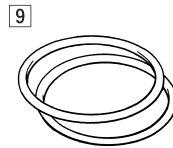
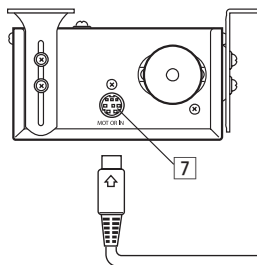
8 8P DIN Cable

9 Round Belt (Fan Belt) x 2

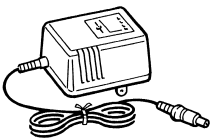
● Controller (Right Side)



● Driver



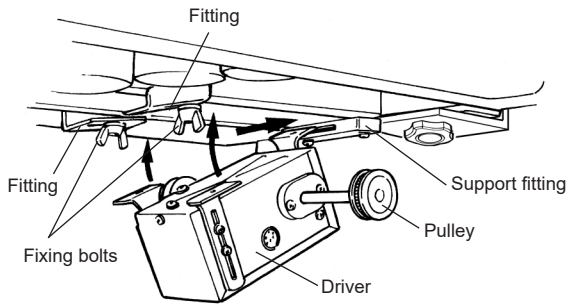
■ AC Adaptor PA130 (Sold Separately)



Assembly

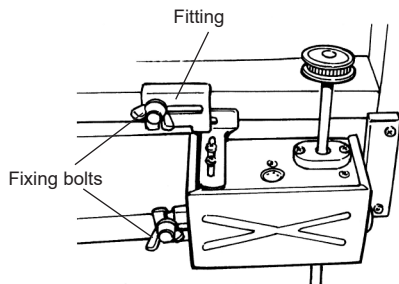
1. Attach the driver.

- 1-1. Loosen the two wing bolts located underneath the treble side of the instrument.
- 1-2. Fully insert the driver mount into the support fitting.



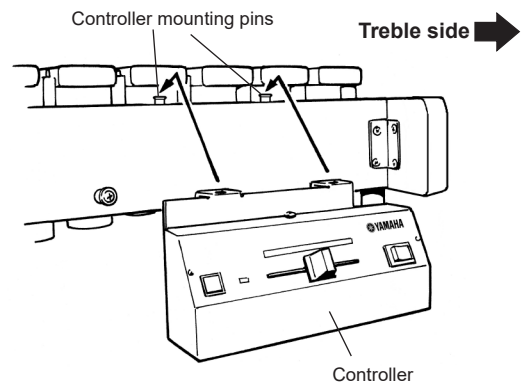
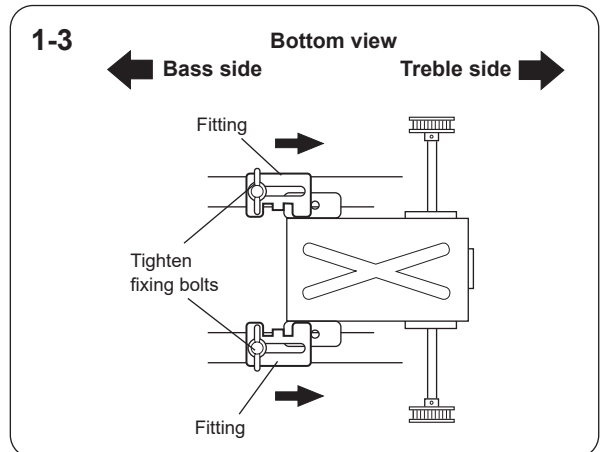
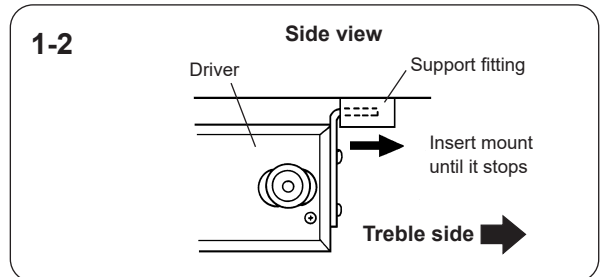
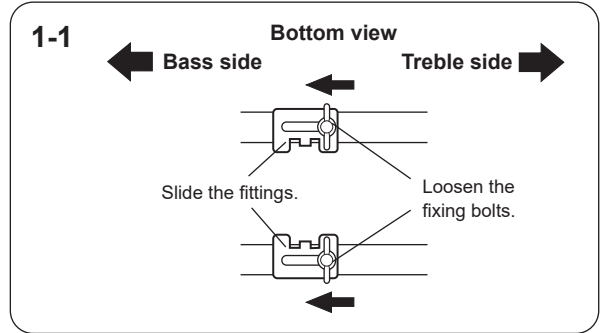
- 1-3. Slide the fittings moved in step 1-1 back in the direction of the treble side. Engage the two side mounts on the driver securely with the fittings, and then tighten the fixing bolts to fasten the driver.

* Set the driver so that the pulleys on either side are positioned directly below the fan side pulleys.



2. Attach the controller.

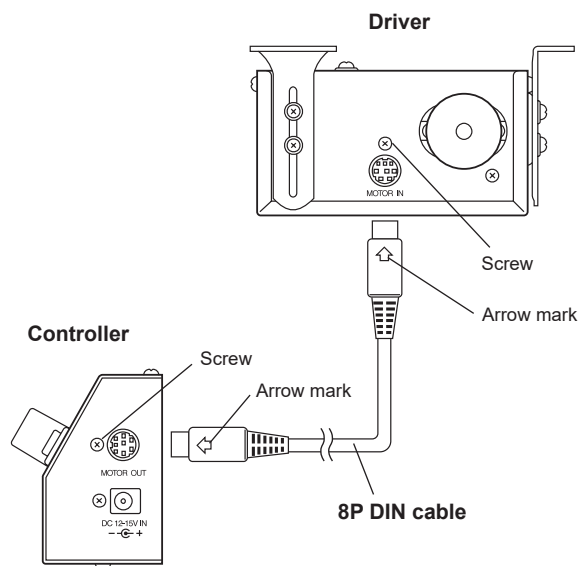
There are two controller mounting pins located on the player's side of the treble end of the instrument. Align the two holes in the controller mounts with these pins and hook the controller onto the pins one side at a time.



3. Connect the driver with the controller.
Connect the MOTOR IN terminal of the driver with the MOTOR OUT terminal of the controller using the supplied 8P DIN cable*. To connect, align the arrow mark (➔) on the plug with the screw next to the jack.

* In case the 8P DIN cable is misplaced, the following spare part may be ordered:

Part No.	Part Name
W5172200	8P DIN Cable



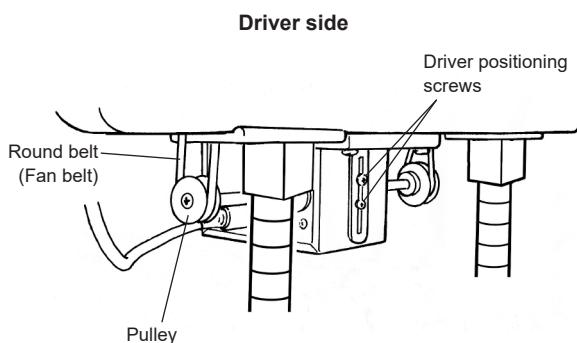
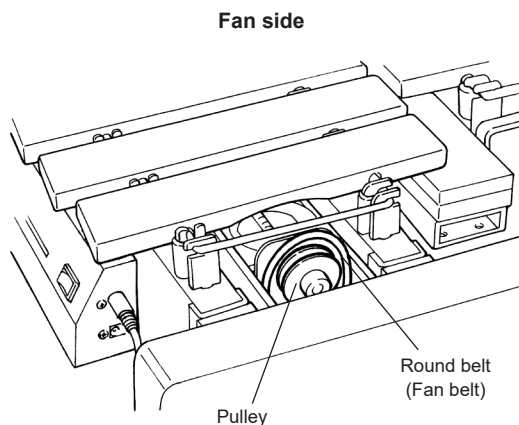
4. Attach the round belt (fan belt)*.
Slip the round belt (fan belt) over the fan side pulley first, and then pull it over the flange of the driver pulley.

If the belt cannot be mounted because the distance between the pulleys is too wide, or the belt slips due to a too narrow pulley distance, loosen the two driver positioning screws (see illustration to the right) to adjust the pulley distance (belt tension). Tighten the screws securely after adjustment.

* In case the belt is misplaced or worn, the following spare part may be ordered:

Part No.	Part Name
W5128041	Fan Belt

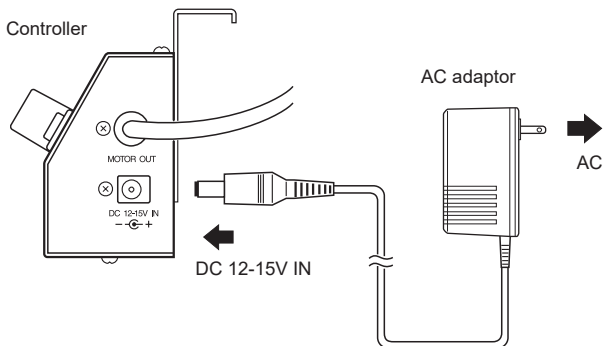
Then, follow the instructions on the next page and connect the power supply to the controller power jack (DC 12-15V IN).



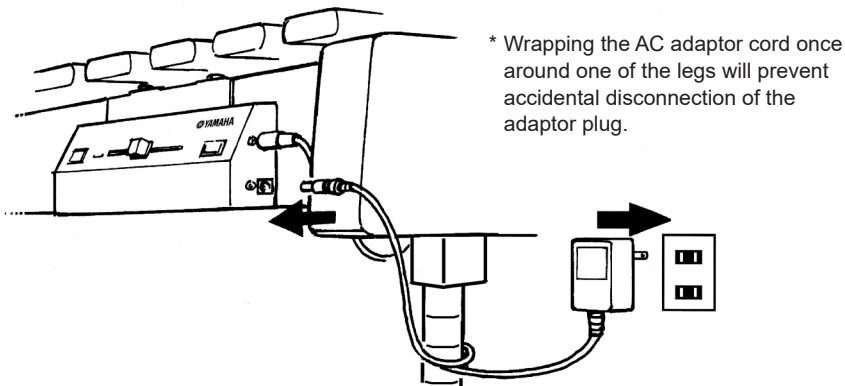
Power Supply

Prepare the supplied AC adaptor.


- 1 Connect the small plug of the AC adaptor to the DC 12-15V IN jack on the controller.



- 2 Plug the AC adaptor into a power outlet.



Specifications

Drive Unit.....	YVM-200 (with Pause function), 25–145 rpm
Power Supply	AC Adaptor PA130 (DC 12V, 700mA +  -)
Power Consumption.....	4.7 W
Weight.....	1 kg (2 1/4 lbs)

* The contents of this manual apply to the latest specifications as of the publishing date. To obtain the latest manual, access the Yamaha website and download the manual file. Since specifications, equipment or separately sold accessories may not be the same in every locale, please check with your Yamaha dealer.

